

Edge Foam[®]

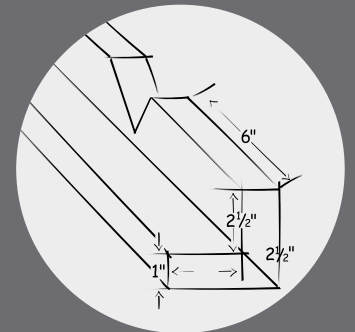
polyethylene
foam protectors

Edge Foam protectors cushion product edges from damage while protecting the product surface from scratching.

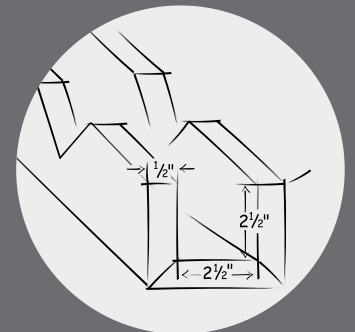
The flexible L- or U-shape channels enable the structure to wrap around corners and edges and still provide a snug, protective fit.

Easy-to-use foam channels hold up against multiple impacts and constant vibration.

- Edge Foam protectors easy to use and re-use.
- High cushioning and compression strength so the channel maintains thickness to minimize shock and vibration during shipping and transport.
- Clean, nonabrasive, chemically-inert material properties eliminate scratching or marring your product and provide, superb surface protection.
- Custom capabilities provide the protection most appropriate for the application, including asymmetrical and odd shapes.
- 90-degree angles can be notched to meet your requirements.
- Recyclable as category 4 (where available)



2 1/2" x 2 1/2" L-shape;
1" thick polyethylene foam;
Precision notch fits corner



2 1/2" x 2 1/2" x 2 1/2" U-shape;
1/2" thick polyethylene foam;
Double notch fits corner

Connect with your account manager for a more customized solution, and to learn more about our products and capabilities today!

www.pregis.com